



Convenient & space efficient storage essentials:  
**Internal Wardrobe Accessories**

**FREE**  
Design Services  
incl. bill of qty.

Technik für Möbel

  
**Hettich**





Hettich Manufacturing Unit at Vadodara, India

The company's origins date back to 1888, when Karl Hettich began making the new clock component he had invented. By 1930, his descendants had diversified into furniture fittings, setting up production in East Westphalia – a centre of the German furniture industry. Today, Hettich, still family owned, has become an industry leader with a worldwide reputation. We're one of the world's largest manufacturers of high-quality furniture fittings, with over 6,000 employees in more than 100 countries.

The company's success has been built on four enduring values: quality, innovation, close cooperation with customers and absolute reliability. We work to inspire our customers with our ideas and our passion.

### **Hettich – an Indian success story**

Hettich started operations in India with the dawn of new millennium. In the short span of 19 years, the company has gained the undisputed leadership position in the Indian furniture fittings & hardware industry.

Hettich India prides itself on having most of the major hardware dealers in India as its trade partners across the country. These dealers are spread over all important cities and towns, so that they are within easy reach of the customer. Hettich India delivers complete "peace of mind" to the Indian furniture manufacturing industry. We have a strong reputation for providing high quality and high tech products. Our products are backed by pre- and after-sales service and on-time deliveries, and by value adding services like design and installation support.

### **Quality**

Hettich products stand for high quality. Once assembled, our fittings function perfectly day in, day out. High quality products and processes confirm our sense of value, our self confidence and our image. The way to our quality goal is for each one of us to cultivate an intense quality awareness.

### **Innovation**

The right balance of continuity and innovation generates trust in the Hettich brand. We offer timely, high-value solutions for today's furniture; at the same time, we identify and shape the trends of tomorrow. We review and improve existing solutions ready for the future. Driving innovation is our capacity for looking at things from new angles.

### **Closeness to customers**

For us closeness to customers implies sharpened awareness, attention to detail, a grasp of complex challenges, and efficiency in production and logistics. We know our customers. We're there when our customers need us! The keynote of our partnership with our customers is direct, person-to-person communication.

### **Reliability**

Quality, innovation, closeness to customers – they're nothing without reliability! Reliability encompasses the durability of our products and the reliability of Hettich people – each and every one of us. The solid basis for reliability is robust and stable processes.



\* Refer Website



**Hettich Poddar  
WoodWorking  
Institute**  
Skilling • Upskilling • Reskilling

### Warranty

For Warranty  
please refer to website.  
[www.hettich.com/in](http://www.hettich.com/in)

### Free Design Service:

Looking for Designs to liven up your Living Room, Bedroom, Bathroom & Kitchen. A dedicated team of highly qualified Interior Designers is at your service to provide customised design solution to suit every taste and budget at zero cost to you.

### Free Consultation at your doorstep:

Looking for perfect Furniture Fittings solution. A dedicated team of highly qualified professionals is at your service to provide the perfect furniture fittings solution to suit your need and budget at zero cost to you.

### Hettich Customer Care Service:

In today's fast paced and technologically advanced era, most of the organizations succumb to the pressure of staying ahead in the competition and often, end up neglecting the most critical aspect of business i.e. CUSTOMERS. Hettich, being a CUSTOMER CENTRIC organization, is very sensitive towards this tendency; hence, we constantly try to provide the best and quality driven products and services.

### Enquiry & Customer Services

Toll Free : 1800 209 2096 (office hours)  
Email: [sales\\_enquiry@in.hettich.com](mailto:sales_enquiry@in.hettich.com)  
[customer\\_services@in.hettich.com](mailto:customer_services@in.hettich.com)  
[www.hettich.com](http://www.hettich.com)

### Free Training Services:

Free Training Services for carpenters of trade partners and customers

### Training Center Address:

Hettich Poddar Wood Work Institute  
Plot No.2, First Floor,  
DLF Industrial Estate - 1  
Near NHPC Metro Station  
Faridabad, Haryana

Email: [info@hpwwi.com](mailto:info@hpwwi.com)  
Ph: 0129 - 4203888

# Interior fittings for wardrobes

## ► Range summary



Pull out shelf, depth 500 mm

03



Cargo pull out shoe rack horizontal

04



Cargo pull out shoe rack vertical

05



Cargo Wall Shoe Rack (M)

06



Cargo tie & belt pull out

07



Cargo trouser pull out

08



Cargo laundry basket

09



Garment lifts

10



Oval cabinet rail

10



Built-in ironing board

11



Drawer runner

12-14



Lights

15-23

# Interior fittings for wardrobe

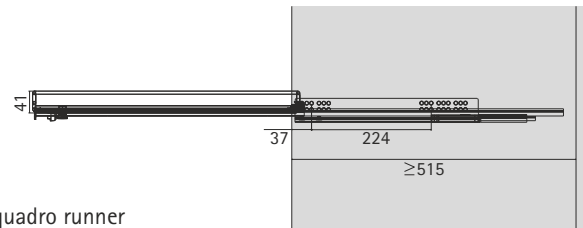
▶ Pull out shelf, depth 500 mm



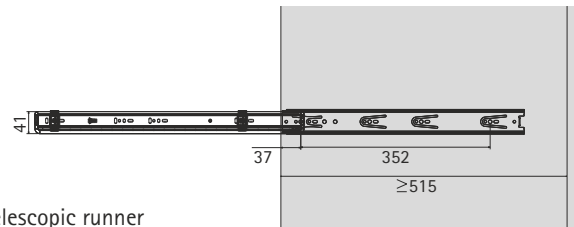
- ▶ Functional and visually pleasing alternative to wooden shelves, in wardrobes
- ▶ Can be mounted with KA telescopic & Quadro runners
- ▶ Available in three standard carcass widths- 600, 750 & 900 mm
- ▶ Available depth- 500 mm
- ▶ Height of moving shelf 41 mm
- ▶ Loading capacity 30-40 kg
- ▶ Inclusive of Acrylic/ Plexi glass bottom
- ▶ Finish: Chrome Plated

Note: Order runners & clamps separately

## Planning Dimensions



With quadro runner



With telescopic runner

Width mm	Carcase external width mm (for side panel thickness 18 mm)	Depth mm	Height mm	Order no.	PU
536 (including plastic bottom)	600	500	41	9 209 345	1 ea.
686 (including plastic bottom)	750	500	41	9 210 438	1 ea.
836 (including plastic bottom)	900	500	41	9 209 348	1 ea.

## Advice

For Quadro & KA Telescopic runner, see page 12 - 14

# Interior fittings for wardrobe

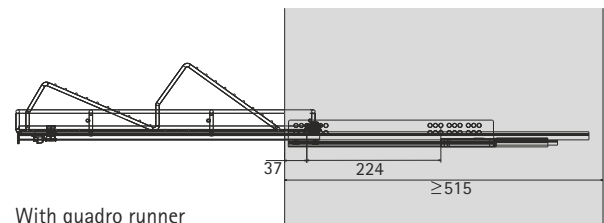
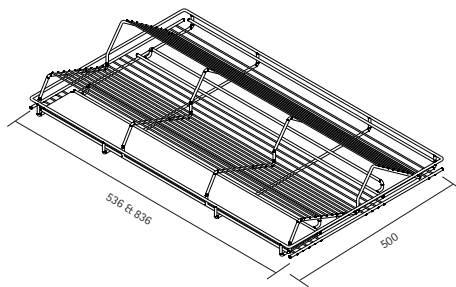
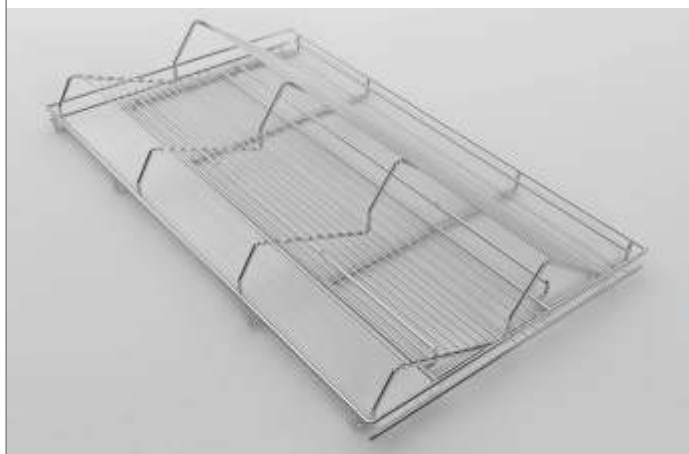
## ► Cargo pull out shoe rack horizontal



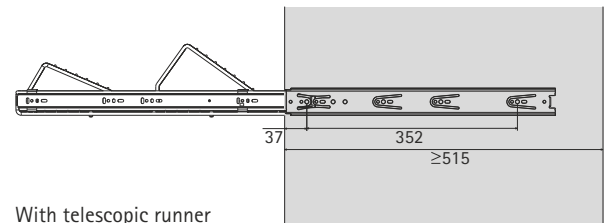
- Installation between carcass sides
- Can take minimum 4 pairs (600 mm) & 6 pairs (900 mm) of adult size shoes
- Additional space to keep related accessories like shoe polish & brush etc.
- Compatible with Quadro & KA telescopic runners
- Available in two standard carcass widths- 600 & 900 mm
- Recommended internal carcass height 300 mm
- Finish: Chrome Plated

Note: Order runners & clamps separately

### Planning Dimensions



With quadro runner



With telescopic runner

Width mm	Order no	PU
600	9 217 067	1 pc
900	9 211 635	1 pc

### Advice

For Quadro & KA Telescopic runner, see page 12 - 14

# Interior fittings for wardrobe

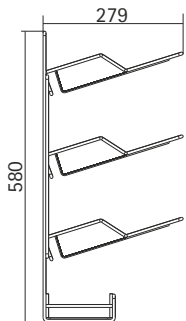
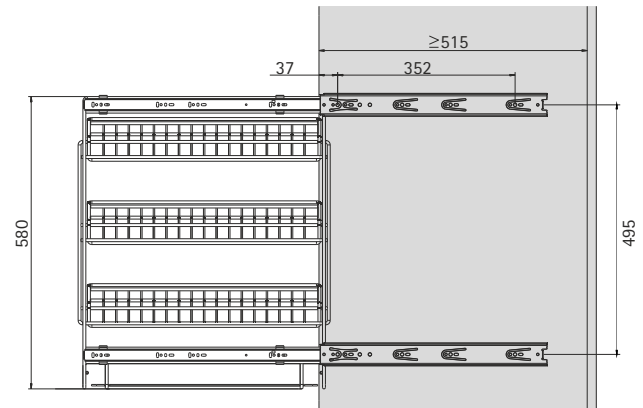
## ► Cargo pull out shoe rack vertical



- Easily mountable on carcass side
- Suitable for use on left or right side
- Can take minimum 6 pairs of adult shoes
- Additional space to keep related accessories like shoe polish & brush etc.
- Compatible with KA telescopic runners
- With 3 clip-on shoe racks
- Recommended internal carcass height 750 mm
- Finish: Chrome Plated

Note: Order KA telescopic runners & clamps separately

### Planning dimensions



Description	Order no	PU
Cargo pull out shoe rack vertical	9 209 340	1 pc
KA 4532, Silent system – 500mm	9 114 276	1 set

### Advice

For KA Telescopic runner, see page 14

# Interior fittings for wardrobe

## ► Cargo wall shoe rack (M)

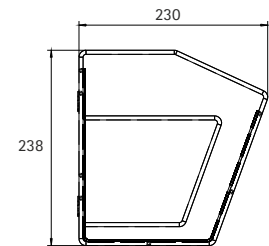
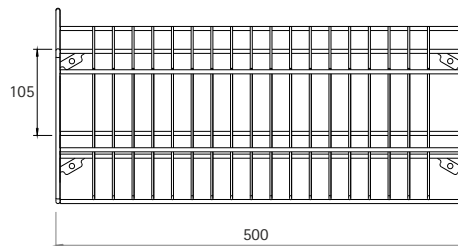


### Cargo wall shoe rack (M)



- For screwing onto cabinet flaps which open individually or to the inside of cabinet sides or fronts
- Can take minimum 4 pairs of adult size shoes
- Finish: Chrome Plated

Description	Order no	PU
Wall mount shoe rack	9 243 992	1 pc



### Cargo wall shoe rack (M) with KA

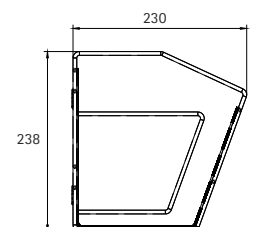
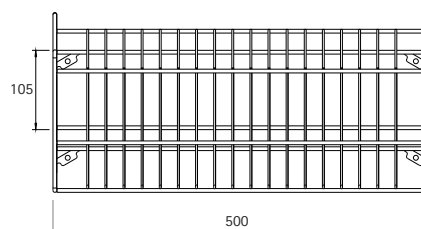
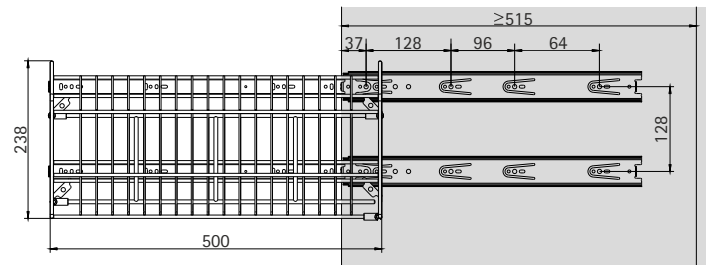


- Easily mountable on carcass side
- Suitable for use on left or right side
- Can take minimum 4 pairs of adult size shoes
- Finish: Chrome Plated

Note: Order KA telescopic runners separately

Description	Order no	PU
Wall mount shoe rack	9 243 992	1 pc
KA 4532, Silent system- 500 mm	9 114 276	1 set

(Example: KA 4532 drilling pattern)



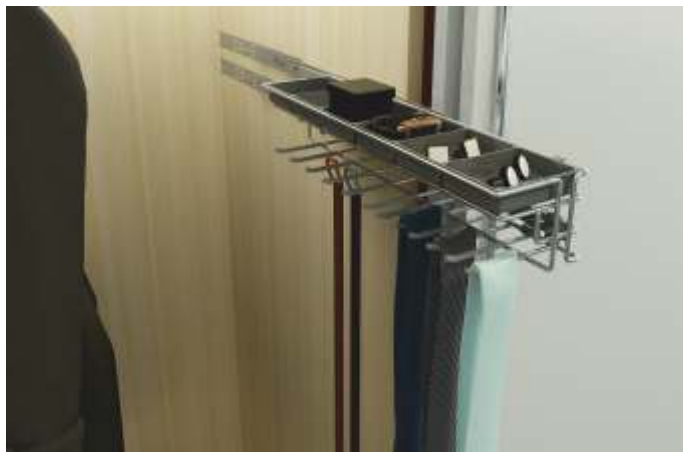
Advice: For KA Telescopic runner, see page 14

# Interior fittings for wardrobe

## ► Cargo Tie & belt pull out



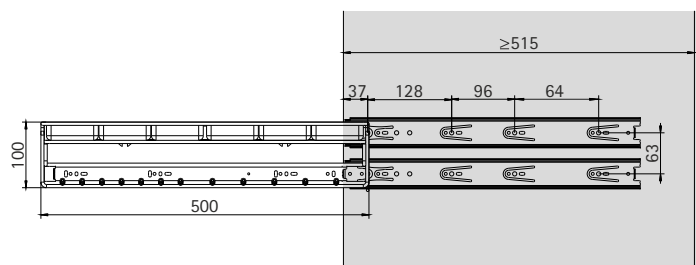
### Cargo Tie & Belt Pull Out



- Tie holder with non-slip element
- For mounting on carcass side
- Suitable for use on either left or right
- Can take up to 5 Belts & 7 Ties
- Tray for keeping accessories like watches / cufflinks / tie clips etc.
- Inclusive with 2 trays
- Finish: Chrome Plated

Note: Order KA telescopic runners separately

Description	Order no	PU
Cargo tie & belt pull out	9 221 099	1 pc
KA 4532, Silent system- 500 mm	9 114 276	1 set



(Example: KA 4532/ KA 5632 drilling pattern)

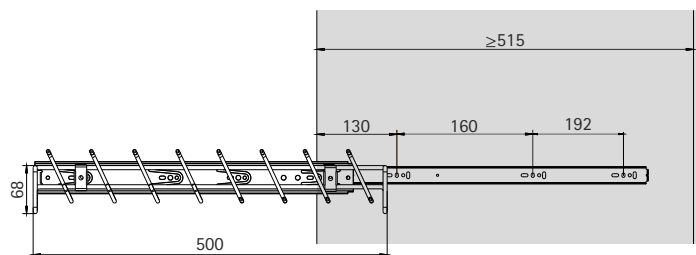
### Cargo Tie & Belt Pull Out M



- Tie holder with non-slip element
- For mounting on carcass side
- Suitable for use on either left or right
- Can take up to 4 Belts & 12 Ties
- Finish: Chrome Plated
- Made of stainless steel wire

Note: Order KA telescopic runners separately

Description	Order no	PU
Cargo tie & belt pull out M	9 243 991	1 pc
KA 4532, Silent system- 500 mm	9 114 276	1 set



With telescopic runner

Advice: For KA Telescopic runner, see page 14



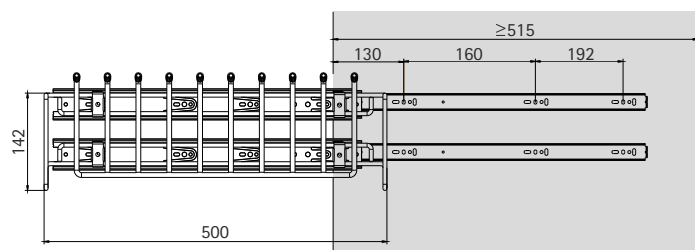
### Cargo Trousler pull out M



- For mounting on carcass side
- Can take up to 10 trousers
- Trousler holder with non-slip element
- Suitable for use either on left or right side
- Finish: Chrome Plated

Note: Order KA telescopic runners separately

Description	Order no	PU
Cargo trouser pull out M (W-320 mm)	9 243 990	1 pc
KA 4532, Silent system- 500 mm	9 114 276	1 set



With telescopic runner

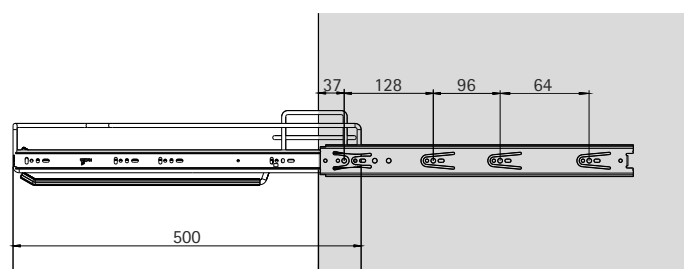
### Cargo Trousler pull out



- Installed between carcass sides
- Available in two carcass widths- 600 Et 900 mm
- Can take up to 11 trousers (600 mm) Et 17 trousers (900 mm)
- Trousler holder with non-slip element
- Tray for keeping accessories like watches / cufflinks / tie clips etc.
- Inclusive of 2 trays for 536 mm and 3 trays for 836 mm
- Handle on both sides for easy pull out
- Finish: Chrome Plated

Note: Order KA telescopic runners separately

Description	Order no	PU
Cargo trouser pull out W-536 mm	9 221 098	1 pc
Cargo trouser pull out W-836 mm	9 236 898	1 pc
KA 4532, Silent system- 500 mm	9 114 276	1 set



(Example: KA 4532 drilling pattern)

Advice: For KA Telescopic runner, see page 14

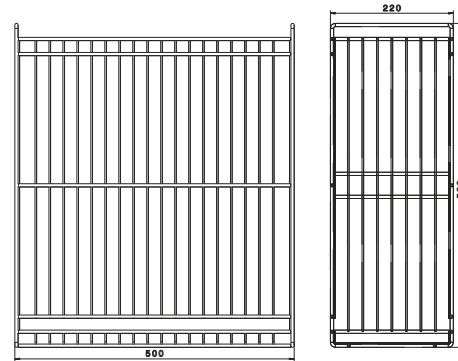


### Cargo Laundry



- Easily mountable on carcass side
- Suitable for use on left or right side
- Mesh close enough to avoid clothes falling off
- Finish: Chrome Plated

Description	Order no	PU
Cargo Laundry	9 241 012	1 pc



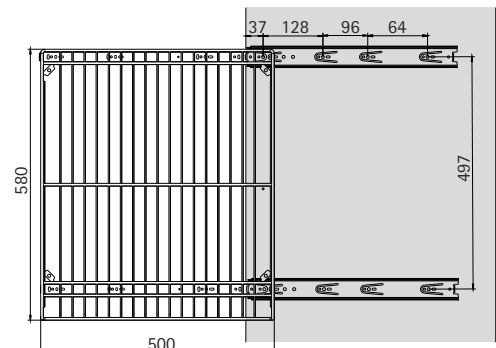
### Cargo Laundry with KA



- Easily mountable on carcass side
- Suitable for use on left or right side
- Mesh close enough to avoid clothes falling off
- Finish: Chrome Plated

Note: Order KA telescopic runners separately

Description	Order no	PU
Cargo Laundry	9 241 012	1 pc
KA 4532, Silent system- 500 mm	9 114 276	1 set



(Example: KA 4532 drilling pattern)

Advice: For KA Telescopic runner, see page 14

# Interior fittings for wardrobe

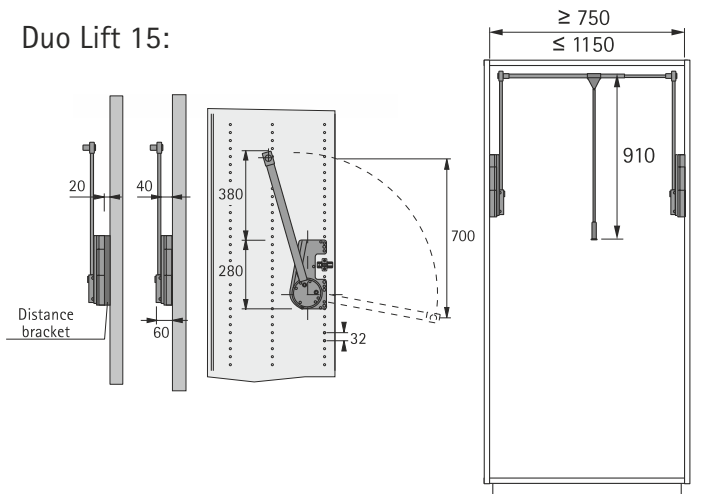
## ▶ Garment lifts & Oval cabinet rail

### Garment lifts



- ▶ Connection on both sides
- ▶ Loading capacity 10 Kg / 15 Kg / 12-18 Kg
- ▶ Telescopic width adjustment for inside carcass widths of 750 - 1150 mm  
Installation in System 32
- ▶ Special recess in the housing also permits installation in the area of existing door hinges
- ▶ Spring force adjustment in 4 stages for duo lift 18
- ▶ Optional spacer for bridging door protrusion
- ▶ Garment rail: chrome-plated steel
- ▶ Housing, pivot arm and spacer:
- ▶ Plastic / steel, aluminium effect

Duo Lift 15:



Description	Order no.	PU
Duo Lift 15	0 042 507	1 ea.
Duo Lift 18	9 079 882	1 ea.
Duo Lift 10	9 079 878	1 ea.

### Oval cabinet rail, chrome-plated with cabinet rail support



#### Oval cabinet rail, chrome-plated:

- ▶ 2000 mm in length
- ▶ Material 0.6 mm thick
- ▶ Steel, high-gloss chrome-plated



#### Cabinet rail supports SL 322:

- ▶ Screw-on type with 3 screw holes
- ▶ Hole spacing 32 mm
- ▶ Zinc die-cast nickel-plated

#### Cabinet rail supports SL 323:

- ▶ Press-in type with 2 pins for drill hole diameter of 5 mm
- ▶ Distance between pins 32 mm
- ▶ 1 additional screw hole

Description	Order no.	PU
Garment rail 2000 mm chrome gloss	0 047 615	10 ea.
Tube bearing SI322 DD oval Nickel	0 070 664	20 ea.
Tube bearing SI323 DD oval Nickel Press In	0 070 666	20 ea.

# Interior fittings for wardrobe

## ► Built-in ironing board

### Built-in ironing board

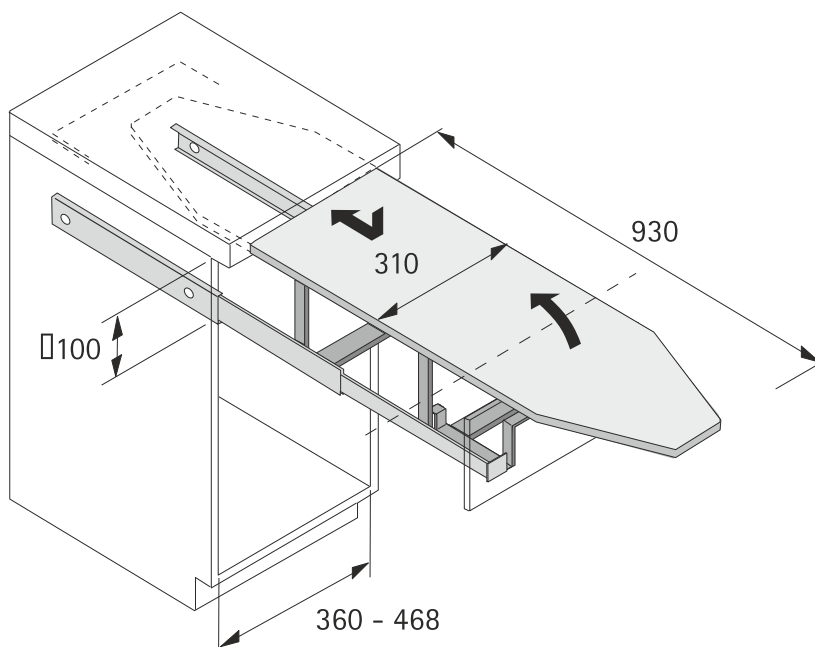
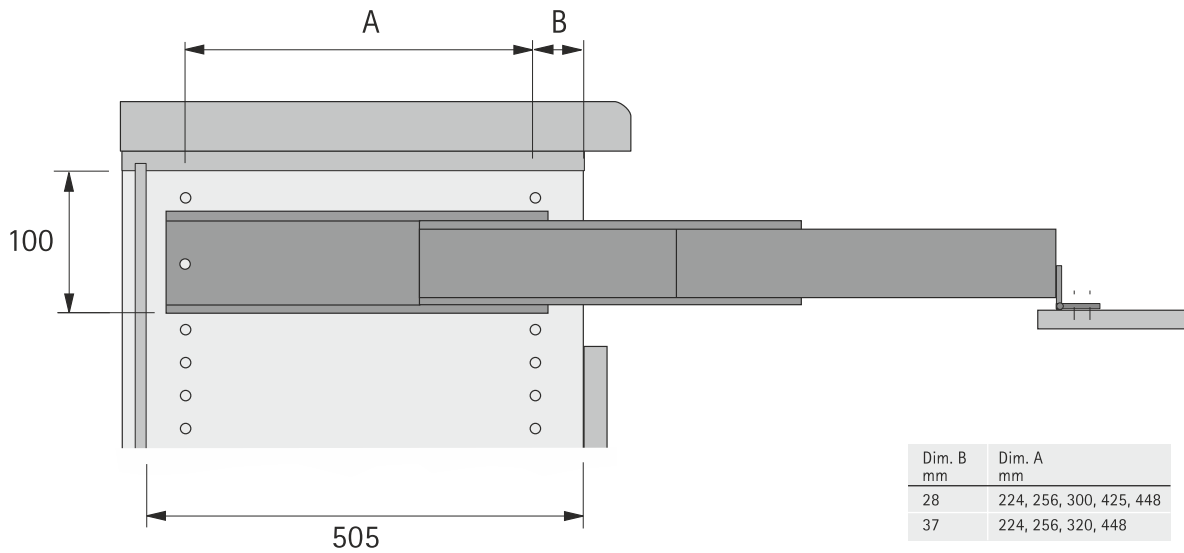


- Fitted in kitchen base units instead of a drawer
- The ironing board is pulled out of the cabinet on a telescoping extension and automatically swings up to working height
- Worktop overhang 0 - 54 mm
- Minimum inside carcass width 360 - 468 mm
- Powder-coated steel, white

#### Set comprises:

- 1 ironing board complete with lining

Description	Order no.	PU
Ironing board	0 045 541	1 set



# Drawer runner

## ► Quadro

### Quadro-30 Part Extn. 30 Kg



- Stop Control - integrated self-closing mechanism for automatic closure
- Galvanized steel

Nominal length mm	Order no	PU
500	0 033 687	1 set

### Quadro-25 Part Extn. With Silent System 25 Kg



- Silent System - the integrated soft-closing function closes the system quietly and gently
- Convenient slide-on assembly with catches and toolless vertical adjustment
- Galvanized steel

Nominal length mm	Order no	PU
500	9 135 941	1 set

### Quadro-V6 Full Extn. With Silent System 30 Kg



- Silent System - the integrated soft-closing function closes the system quietly and gently
- Galvanized steel

Nominal length mm	Order no	PU
500	0 045 293	1 set

## Drawer runner

### ► Quadro

#### Quadro P20 Partial 25 kg



- Push to open - the precision Push to open mechanism automatically opens the system in virtual silence - a light press is all it takes!
- Galvanized steel

Nominal length mm	Order no	PU
500	9 135 966	1 set

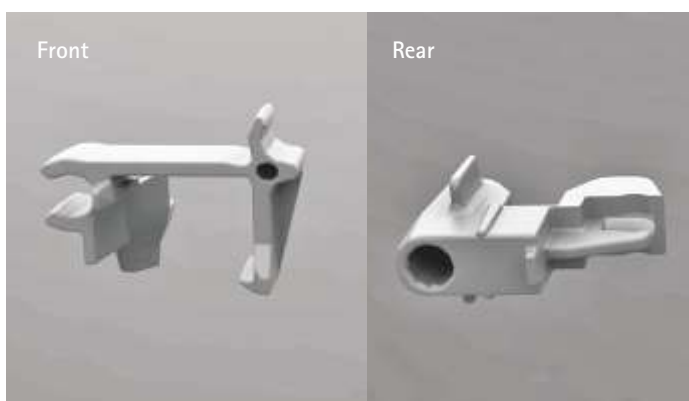
#### Quadro P20 Full Extension 30 kg



- Push to open - the precision Push to open mechanism automatically opens the system in virtual silence - a light press is all it takes!
- Galvanized steel

Nominal length mm	Order no	PU
500	9 135 993	1 set

#### Quadro Clamp



- Set comprises:
- 2 front clamp
  - 2 rear clamp
  - To be used to Wardrobe Accessories
  - Material: PVC

Description	Order no	PU
Quadro clamp	9 160 975	1 set

## Drawer runner

### ▶ Ball-bearing runner KA

#### KA 5632 45kg Zinc / Black



- ▶ Precision full extension runner with pull-out stop and roll-out guard
- ▶ Using a release lever, the system can be detached from the runner and thus removed and re-fitted with ease
- ▶ Precision control for silky smooth running action and high lateral stability
- ▶ Galvanized steel, blue passivated

Nominal length mm	Order no.		PU
	Zinc	Black	
500	9 193 319	9 215 450	1 set

#### KA 4532, 35kg Silent System / P20 Zinc



- ▶ Silent System - the integrated soft-closing function shuts the drawer quietly and gently
- ▶ Push to open - the precision Push to open mechanism automatically opens the system in virtual silence - a light press is all it takes!
- ▶ Using a release lever, the system can be detached from the runner and thus removed and re-fitted with ease.
- ▶ Precision control for silky smooth running action and high lateral stability
- ▶ Galvanized steel, blue passivated

Nominal length mm	Order no.		PU
	Silent system	Push to open	
500	9 114 276	9 114 285	1 set

#### KA Telescopic clamp



- ▶ To be used with CargoTech Wardrobe Accessories
- ▶ Steel, Chrome Plated
- ▶ Set comprises: 4 pcs.

Description	Order no	PU
KA Telescopic clamp	1 180 142	1 set

# Interior fittings for wardrobe

## ► Special lights

### LitePipe



#### Advantages

- Activated by motion sensor
- Can be individually cut to length

#### Features

- Load capacity up to 40 kg / m
- Can be retrofitted into furniture

#### Examples of use

- Wardrobes
- Cloakrooms

#### Ordering information

- To find the right combination of light and ballast, please note pictograms in the light catalogue!
- Sales unit: 1

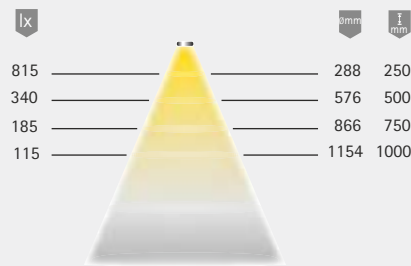
### Technical details in brief



12V

Lamp type:	Wardrobe rail LED light
Type of lighting:	Functional lighting
Surface finish:	Aluminium
Operating voltage:	12 V DC
Light colour:	Neutral white
Colour rendering index CRI:	85
Energy efficiency:	A
	45 lm / W
Life span:	30,000 h (L70)
Power consumption:	max. 5.5 W
Dimmable:	No
Beam angle:	60°
Test marks and symbols:	CE ◊ ◊ ◊ ◊
Protection rating:	IP 20
Supply lead:	2000 mm
Plug connection:	LED mini M1 plug connection
Connection to:	LED ballast
Motion sensor:	
Detection angle:	60°
Reach:	2 m
Stay-'ON' time:	40 seconds

### Light distribution diagram / 60°



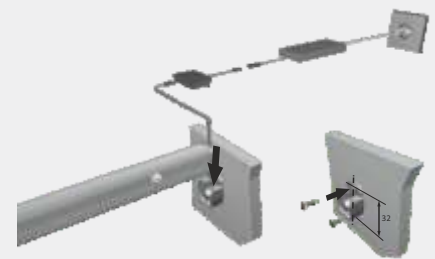
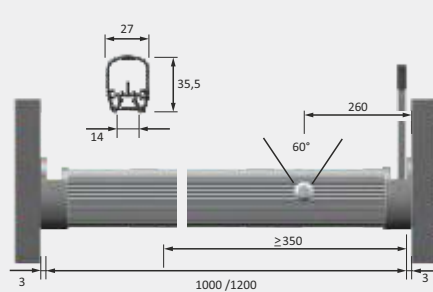
### Dimensional drawing / installation



Light can be customized



Light can be cut to size



Item Description	Order no.	PU
LED Lite Pipe 12V 1000 mm WW, 5W	9 150 406	01
LED Lite Pipe 12V 1200 mm WW, 5W	9 150 407	01
LED Lite Pipe 12V 1000 mm CW, 5.5W	9 150 408	01
LED Lite Pipe 12V 1200 mm CW, 5.5W	9 150 409	01
LED - Transformer 12VDC 6W HIN	9 162 787	01

# Interior fittings for wardrobe

## ► Channel Line Profiles

### ChannellLine C



#### Advantages

- Aluminium recessed profiles
- Opal cover

#### Features

- Can be combined with ChannellLine sensor

#### Examples of use

- Furniture edges

#### Ordering information

- Application image shows ChannellLine C with Versa Inside 120
- LED ballasts and LED lights must be ordered separately
- Sales unit: 1

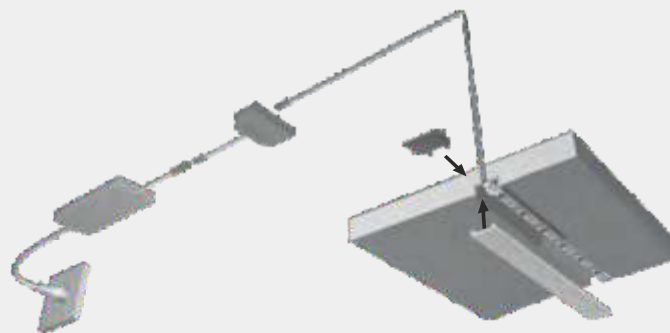
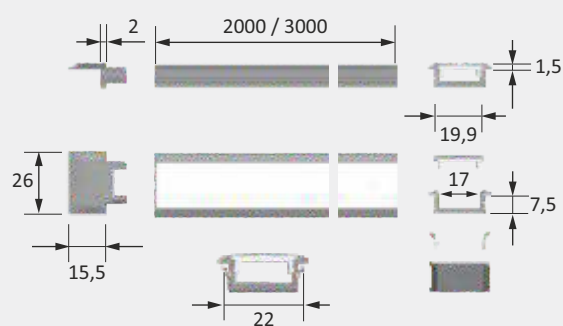
### Technical details in brief



#### Recommended for:

- Versa Inside 60
- Versa Inside 90
- Versa Inside 120
- Versa Inside 120 HP

### Dimensional drawing / installation

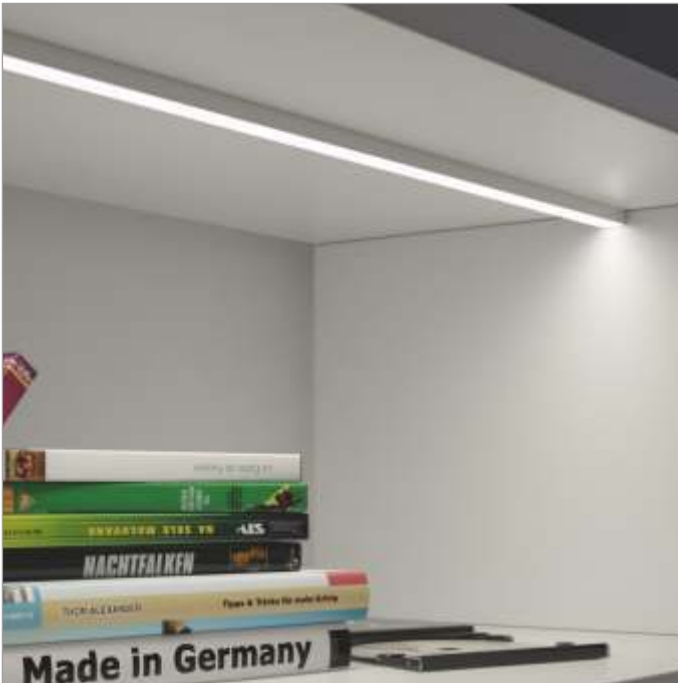


Item Description	Order no.	PU
ChannellLine C, Aluminium/plastic profile 3000 mm, Opal cover, Depth = 7.5mm	5 566 102	01
End cap (2 units per set)	2 556 901	01

# Interior fittings for wardrobe

## ▶ Channel Line Profiles

### Channelline D



#### Advantages

- ▶ Aluminium surface-mounted/recessed profile
- ▶ Opal cover

#### Features

- ▶ Can be combined with Channelline sensor

#### Examples of use

- ▶ Furniture edges

#### Ordering information

- ▶ Application image shows Channelline D with Versa Inside 90
- ▶ LED ballasts and LED lights must be ordered separately
- ▶ Sales unit: 1

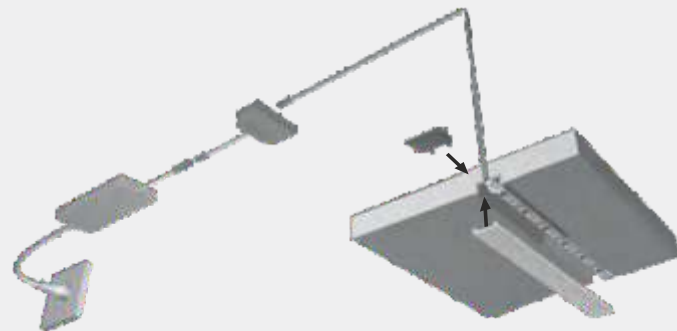
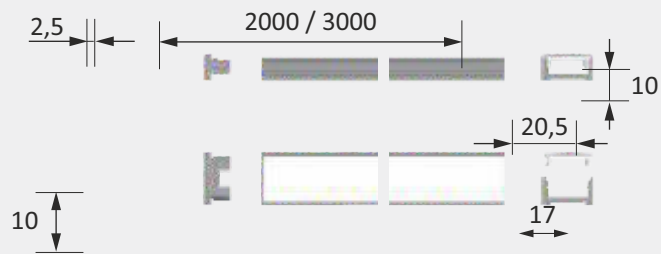
### Technical details in brief



#### Recommended for:

- Versa Inside 60
- Versa Inside 90
- Versa Inside 120
- Versa Inside 120 HP

### Dimensional drawing / installation

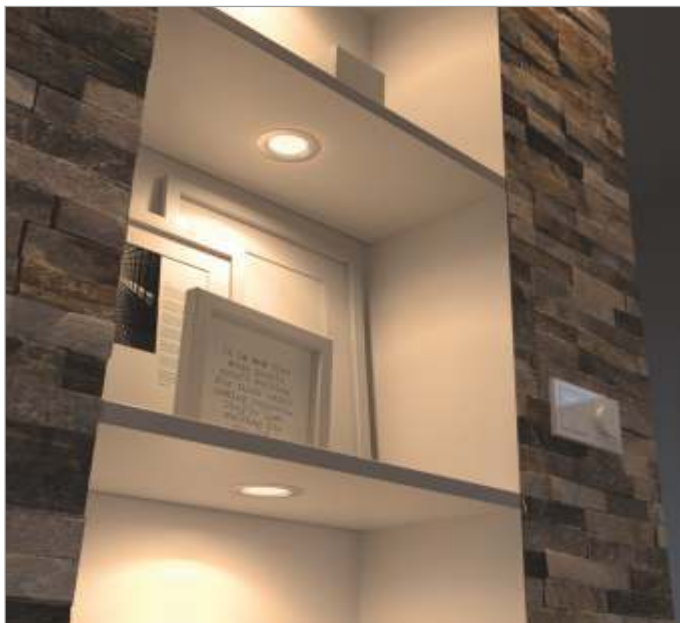


Item Description	Order no.	PU
Channelline Versa D - L=3000 mm, opal cover, Depth = 10 mm	5 566 202	01
End cap (2 units per set)	2 557 001	01

# Interior fittings for wardrobe

## ▶ Spotlights

### EcoPower L



#### Advantages

- ▶ Entry-level recessed spotlight
- ▶ Compact light

#### Features

- ▶ Recessed light with 68 mm installed diameter

#### Examples of use

- ▶ Shelves
- ▶ Display cabinets
- ▶ Niches

#### Ordering information

- ▶ To find the right combination of light and ballast, please note pictograms in the light catalogue!
- ▶ Sales unit: 1

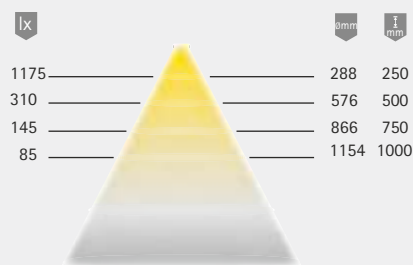
### Technical details in brief



**12V**

Lamp type:	LED recessed light
Type of lighting:	Functional / accent lighting
Surface finish:	Aluminium look / stainless steel look
Operating voltage:	12 V DC
Light colour:	Warm white / neutral white / MultiWhite
Colour rendering index CRI:	> 80
Energy efficiency:	A+ 72 lm/W
Life span:	30,000 h (L70)
Power consumption:	3.2 W
Dimmable:	Yes
Beam angle:	60°
Test marks and symbols:	CE ◊ ▽ ▽
Protection rating:	IP 44
Installed diameter:	68 mm
Supply lead:	1800 mm
Plug connection:	LED mini M1 plug connection
Connection to:	LED ballast

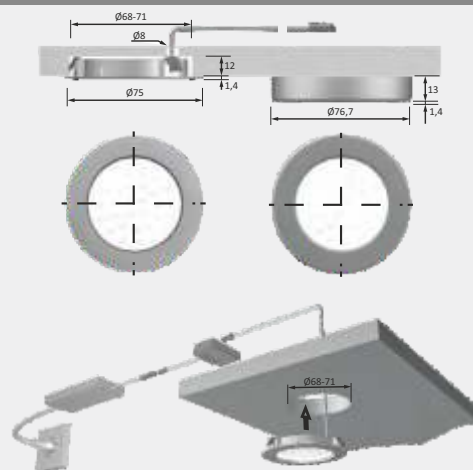
### Light distribution diagram / 60°



### Light box



### Dimensional drawing / installation



Item Description	Order no.	PU
EcoPower L, Aluminium look, WW, 3.2 W	3 214 416	01
Surface mounted housing aluminum finish	3 623 606	01

# Interior fittings for wardrobe

## ► Spotlights

### Eco Spot



#### Advantages

- Entry-level recessed spotlight
- Compact light
- Evenly illuminated area

#### Features

- Recessed light with 58 mm installed diameter

#### Examples of use

- Shelves
- Display cabinets

#### Ordering information

- To find the right combination of light and ballast, please note pictograms in the light catalogue!
- Sales unit: 1

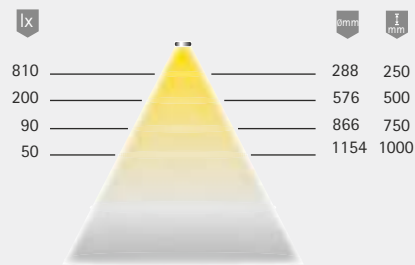
### Technical details in brief



12V

Lamp type:	LED recessed light
Type of lighting:	Functional / accent lighting
Surface finish:	Aluminium look / Stainless steel look
Operating voltage:	12 V DC
Light colour:	Warm white / neutral white
Colour rendering index CRI:	> 80
Energy efficiency:	A++ 87 lm/W
Life span:	30,000 h (L70)
Power consumption:	1.5 W
Dimmable:	Yes
Beam angle:	60°
Test marks and symbols:	CE
Protection rating:	IP 20
Installed diameter:	58 mm
Supply lead:	1800 mm
Plug connection:	LED mini M1 plug connection
Connection to:	LED ballast

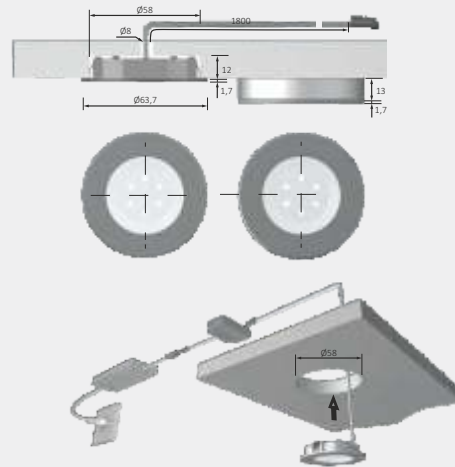
### Light distribution diagram / 60°



### Light box



### Dimensional drawing / installation



Item Description	Order no.	PU
Eco Spot, Aluminium look, Warm White, 1.5 W	3 215 316	01
Surface mounted housing aluminium finish	3 624 406	01

# Interior fittings for wardrobe

## ▶ Spotlights

### PowerLite Plus



#### Advantages

- ▶ Cone of light like halogen spot
- ▶ High-quality metal housing

#### Features

- ▶ Recessed light with 58 mm installed diameter
- ▶ High light output in relation to size
- ▶ Plug-in connection on housing

#### Examples of use

- ▶ Shelves
- ▶ Display cabinets
- ▶ Niches



#### Ordering information

- ▶ To find the right combination of light and ballast, please note pictograms in the light catalogue!
- ▶ Sales unit: 1

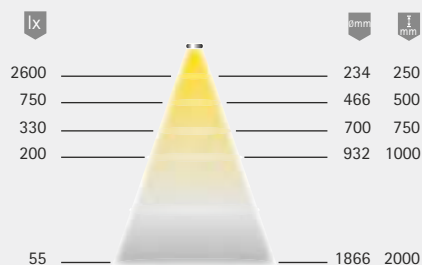
#### Technical details in brief



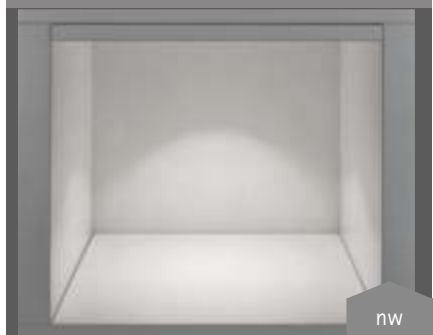
12V

Lamp type:	LED recessed light
Type of lighting:	Functional / accent lighting
Surface finish:	Aluminium look / Stainless steel look
Operating voltage:	12 V DC
Light colour:	Warm white / neutral white
Colour rendering index CRI:	> 85
Energy efficiency:	A
	45 lm/W
Life span:	30,000 h (L70)
Power consumption:	3.5 W
Dimmable:	Yes
Beam angle:	50°
Test marks and symbols:	CE   
Protection rating:	IP 44
Installed diameter:	56-58 mm
Supply lead:	3000 mm
Plug connection:	LED mini M1 plug connection
Connection to:	LED ballast

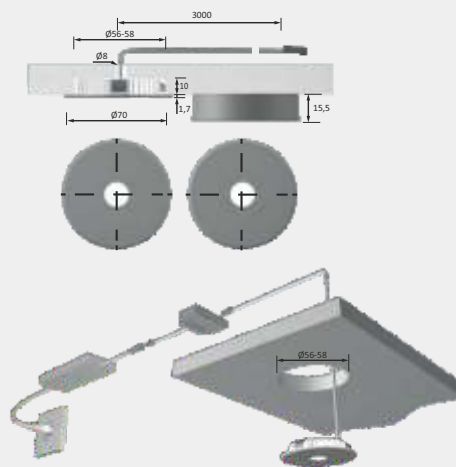
#### Light distribution diagram / 60°



#### Light box



#### Dimensional drawing / installation



Item Description	Order no.	PU
PowerLite Plus round stainless steel look, 12 V DC, WW, 3.5 W	3 206 319	01
Surface mounting housing	3 699 709	01

# Interior fittings for wardrobe

## ► Switch systems

### Ballast



#### Features

- Short-circuit-proof
- Overload-protected
- Temperature-protected

#### Examples of use


- For 12 V DC furniture lights

#### Ordering information

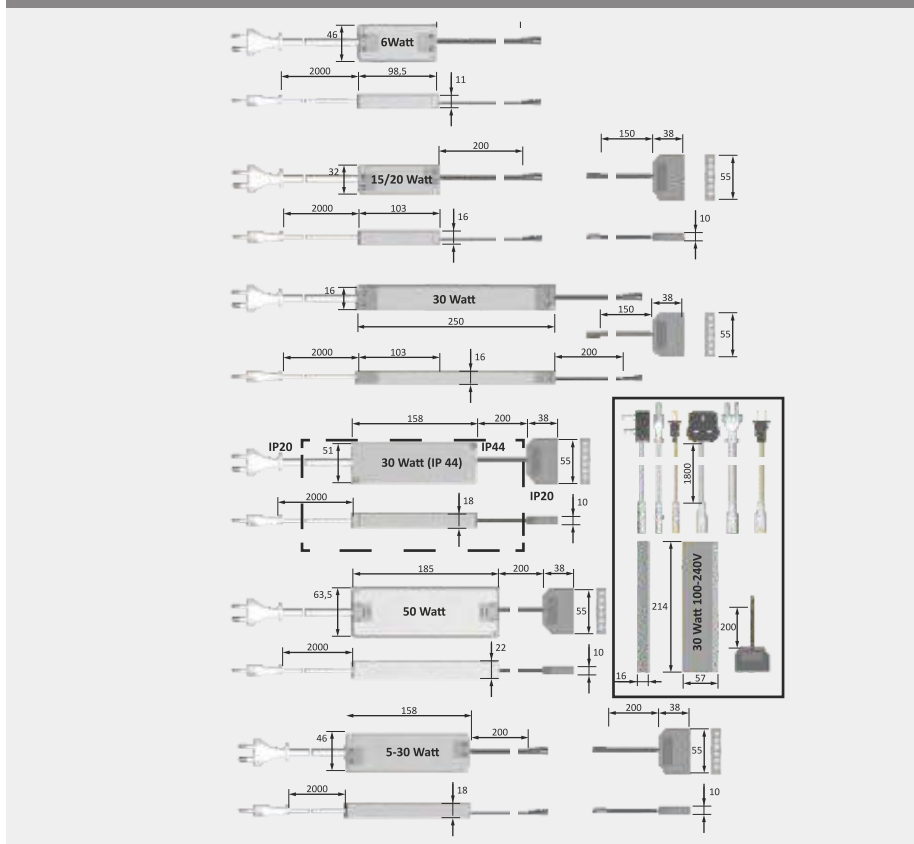
- The ballast power must be equal to or greater than the total power of the connected consumers

### Technical details in brief



For use with: LED lights  
 Surface finish: white  
 Operating voltage: 100 V AC  
 240 V AC  
 Mains frequency: 50 Hz / 60 Hz  
 Output voltage: 12 V DC  
 Test marks and symbols:   
 Plug connection Primary: 2000 mm with flat Euro plug  
 Plug connection: LED mini  
 M1 plug connection

### Dimensional drawing / installation



Item Description	Order no.	PU
LED - Ballast 12V DC 6W with flat euro plug	3 022 602	01
LED ballast 12V DC 20 W with flat Euro plug and 6- way distributor	3 101 601	01
LED ballast 12V DC 30 W with flat Euro plug and 6- way distributor	3 100 207	01
LED ballast 12V DC 50 W with flat Euro plug and 6- way distributor	3 099 801	01

# Interior fittings for wardrobe

## ► Switch systems

### MultiSwitch contact



#### Advantages

- Infrared sensor for drill-hole or surface
- Connection of 1 to 3 identical sensors to 1 master unit

#### Features

- Soft ON/OFF function (soft-start when power on/off) - for 12 / 24 V only
- Memory function for power failure
- Not compatible with dimmers

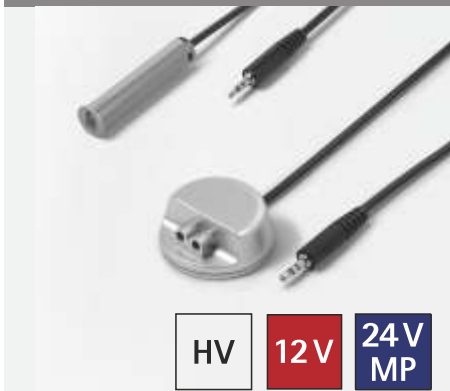
#### Examples of use

- Door contact switch
- Touchless sensor switch (surface-mounted infrared sensor)

#### Ordering information

- For other sensors, see pages below
- Only for use with dimmable LED lamps
- Sales unit: 1

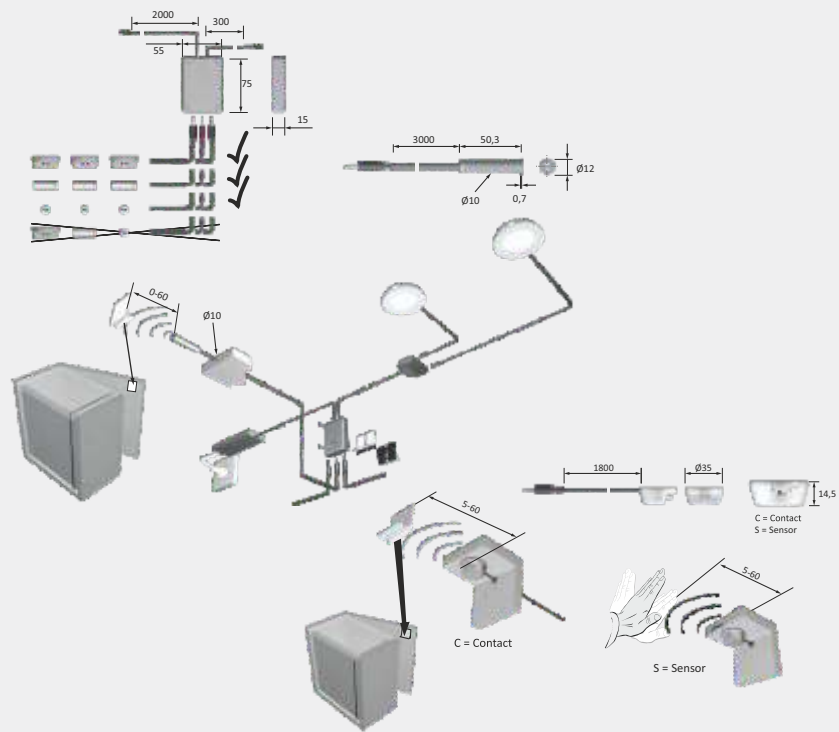
### Technical details in brief



**HV** **12V** **24V**  
**MP**

Can be used with: LED lights  
 Surface finish: Aluminium look  
 Operating voltage: 12 / 24 V DC  
 230 V AC  
 Max. switching power: 36 W / 72 W / 500 W  
 Test marks and symbols:   
 Switching distance: see drawing  
 Supply lead: 2000 mm cable to master unit  
 Switching lead: 300 mm to LED light  
 Standby: < 0.5 W

### Dimensional drawing / installation



### IR Sensor (Surface mounting)

Item Description	Order no.	PU
Master unit 12 V DC	3 076 401	01
IR-Sensor for surface mounting	3 064 201	01

### IR Sensor (Drill Hole mounting)

Item Description	Order no.	PU
Master unit 12 V DC	3 076 401	01
IR-Sensor for Drill hole mounting	3 076 751	01

### Extension wire for Sensor

Item Description	Order no.	PU
Extension lead sensor cable - 2.5 mm jack - 2000 mm	1 823 803	01

# Interior fittings for wardrobe

## ► Switch systems

### MultiSwitch PIR



#### Advantages

- Motion sensor for surface mounting
- Responses to heat and motion
- Connection of 1 to 3 identical sensors to 1 master unit

#### Features

- Soft ON/OFF function (soft-start when power on/off) - for 12 / 24 V only
- Memory function for power failure
- Not compatible with dimmers

#### Examples of use

- As motion sensor (PIR sensor)

#### Ordering information

- For other sensors, see pages below
- Only for use with dimmable LED lamps
- Sales unit: 1

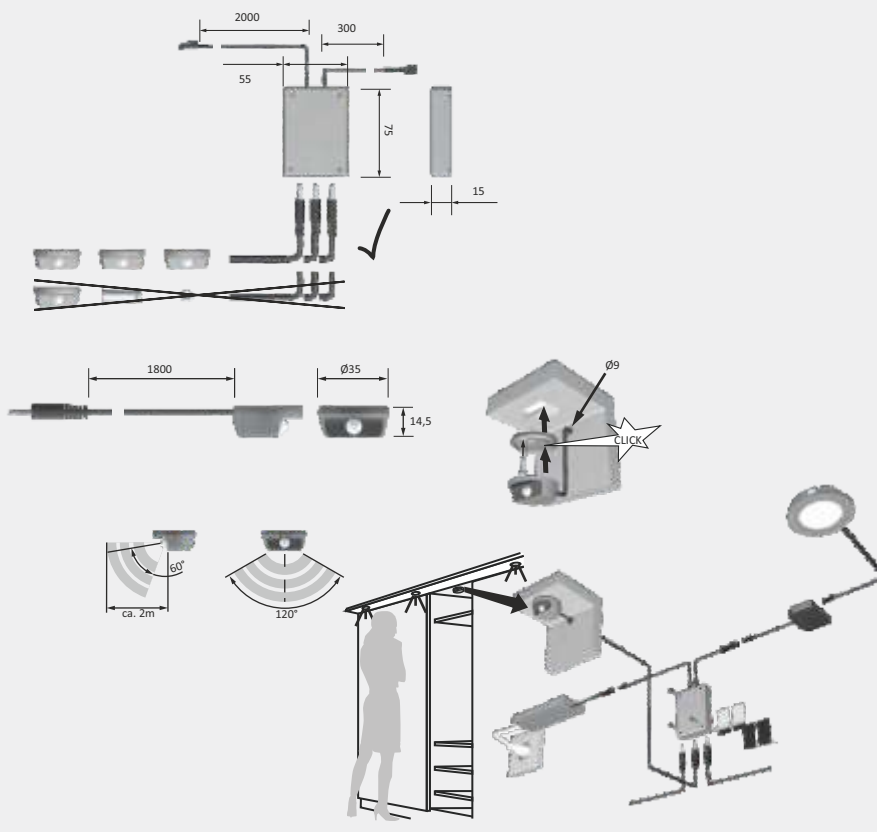
### Technical details in brief



**HV** **12V** **24V**  
**MP**

Can be used with: LED lights  
 Surface finish: Aluminium look  
 Operating voltage: 12 / 24 V DC  
 230 V AC  
 Max. switching power: 36 W / 72 W / 500 W  
 Test marks and symbols:   
 Motion detector:  
 Sensing angle: 120°  
 Range: 2 m  
 Stay-'ON' time: 30 seconds  
 Sensor lead: 1800 mm  
 Supply lead: 2000 mm cable to master unit  
 Switching lead: 300 mm  
 Standby: < 0.5 W

### Dimensional drawing / installation



### Motion Sensor

Item Description	Order no.	PU
Master unit 12 V DC	3 076 401	01
IR Sensor for Drill hole mounting	3 063 801	01

### Extension wire for Sensor

Item Description	Order no.	PU
Extension lead sensor cable - 2.5 mm jack - 2000 mm	1 823 803	01



**Registered & Head Office:**  
**Hettich India Private Limited**  
302, Duro-lite House,  
Opp. SAB TV, New Link Road,  
Andheri (West), Mumbai - 400 053  
Phone: +91 22 2674 3289/3356/4089  
Fax: +91 22 2674 3267

**Delhi Office:**  
**Hettich India Private Limited**  
A-26/4, 1st floor,  
Mohan Co-operative Industrial Estate,  
New Delhi - 110 044  
Phone: +91 11 4889 4000, 4889 4005  
Fax: +91 11 4889 4044

**Vadodara Factory:**  
Plot No. 304, Dhanora,  
Nandesari Road,  
Near ECPL,  
Village - Dhanora - 391 346  
Dist. - Vadodara  
Tel: + 91 26 5656 9003

04\_2020

### Application Centres:

**New Delhi:**  
61, Panchkuian Road,  
New Delhi - 110 001  
Ph. No. : +91 11 2358 0713,  
+91 11 2358 4603

**Mumbai:**  
202, Duro-lite House, Opp. SAB TV,  
New Link Road, Andheri (West),  
Mumbai - 400 053  
Ph.No. : +91 22 2639 9707

**Chennai:**  
"Heavitree", Ground Floor,  
47, Spur Tank Road,  
Chetpet, Chennai - 600 031  
Ph. No. : +91 44 4263 7227

**Kolkata:**  
2nd Floor, Unit Number 2A,  
Tirumala 22,  
East Topsia Road,  
Kolkata - 700 046  
Ph. No. : +91 98310 12054

**Hyderabad:**  
" Sai Krishna "  
797 - A, 2nd Floor,  
Road No. 36, Jubilee Hills,  
Hyderabad - 500 034  
Ph. No. :+91 40 2355 8994

**Ahmedabad:**  
1st Floor, Unit No. 102,  
Safal Pegasus,  
Anand Nagar,  
Ahmedabad - 380 015,  
Ph. No. : +91 79 4032 2824

**Bangalore:**  
Adventz Center, Ground Floor 28,  
Cubbon Road, Shivaji Nagar,  
Bangalore - 560 001  
Ph. No. : +91 80 4530 0400,  
+91 80 4530 0401

**Kochi:**  
41/2062D, 2nd Floor  
Palarivattom signal  
junction, NH 47 By-pass,  
Kochi - 682 028  
Ph. No. : +91 48 4402 8242

**Chandigarh:**  
2nd Floor, Aspire Tower,  
Plot no. 55, Industrial  
& Business park, Phase 1,  
Chandigarh - 160 002  
Ph. No. : +91 172 5012 347

**Indore:**  
Office No.106 and 107-A,  
"Brilliant Titanium",  
Plot No.9, Scheme No.78, Part-II,  
Indore - 452 010  
Ph. No. : +91 96 9168 4480

**Enquiry & Customer Services**  
Toll Free : 1800 209 2096 (office hours)  
Email: sales\_enquiry@in.hettich.com  
customer\_services@in.hettich.com  
www.hettich.com

**Training Center Address:**  
Hettich Poddar Wood Work Institute  
Plot No.2, 1st Floor, DLF Industrial Estate-1  
Near NHPC Metro Station,  
Faridabad- Haryana  
Ph: +91 129 4203888  
Email: info@hpwwi.com

Technik für Möbel

  
**Hettich**